



低压大功率系列 ↗ LOW VOLTAGE

中磁力石家庄电机科技有限公司

ZCL SHIJIAZHUANG ELECTRIC MOTOR TECHNOLOGY CO., LTD.

地址：河北石家庄市藁城区张家庄镇电机工业园

ADD: HEBEI SHIJIAZHUANG GAOCHENG DISTRICT ZHANGJIAZHUANG
TOWN INDUSTRIAL PARK CHINA

电话/TEL: 86-311-89246924 传真/FAX: 86-311-89246924

手机/MOBILE: 86-13931192007

邮箱/E-MAIL: ZCLGROUP@ZCL-GROUP.COM

网址/WEB: WWW.ZCL-GROUP.COM

LOW VOLTAGE

中磁力石家庄电机科技有限公司

ZCL SHIJIAZHUANG ELECTRIC MOTOR TECHNOLOGY CO., LTD.

一、 产品简介

Y2X系列(H355~560)鼠笼型三相异步电动机，是我公司吸取国内外同类电机之优点并采用新材料、新工艺而成的产品，是把以前高压才能实现的功率等级在低压的情况下同样实现。该系列电机具有外形设计美观、性能指标高、可靠性强、体积小、重量轻、振动小、噪声低、高效节能等特点。

Y2X series(H355~560)squirrel cage three phase asynchronous motor is **ZCL** motor's products which learn the advantages of domestic and foreign similar motor's and use new material and new technology .It is to be achieved before the high-voltage power level as in the case of low pressure to achieve. This series has such characteristics: beautiful shape design, high performance, reliability, small, light weight, low vibration, low noise, and energy efficient.

- 本系列电动机性能和安装尺寸及功率等级均符合IEC72、GB755、JB/T10444及有关专业技术标准。
- 本系列电动机外壳防护等级可制作成IP54或IP55。电动机的绝缘等级为F级，采用的是真空压力(VPI)浸漆，有效地降低了温升，延长了绝缘老化的寿命。
- 本系列电动机采用标准的冷却方法为IC411，安装方式一般为IMB3、IMB35。
- 本系列电动机供电电源为三相工频50HZ(或根据需要为60HZ)电源，电压等级380V或660V，也可根据客户需要设计成其它电压等级。
- 本系列电动机可用于驱动各种通用机械如压缩机、水泵、破碎机、切削机床、运输机械及其他机械设备，在矿山、机械、冶金、石油、化工、电站等各种工矿企业中作原动机用。
- 本系列电动机可派生出户外(W),湿热带(TH),户外湿热带(WTH),防腐型(F1、F2、WF1、WF2),也可根据国家标准GB/T7060《船用旋转电机基本技术要求》派生船用Y-H系列三相异步电动机,其性能指标、安装和外形尺寸与基本系列相同。

This series motor performance installation size and power rating are meeting IEC77, GB755, JB/t10444 and other professional and technical standards.

This series motors can be made into shell protection Class IP54 or IP55, the motor insulation class is F. VPI is used, which reduces the temperature rise effectively and extended the life of insulation aging.

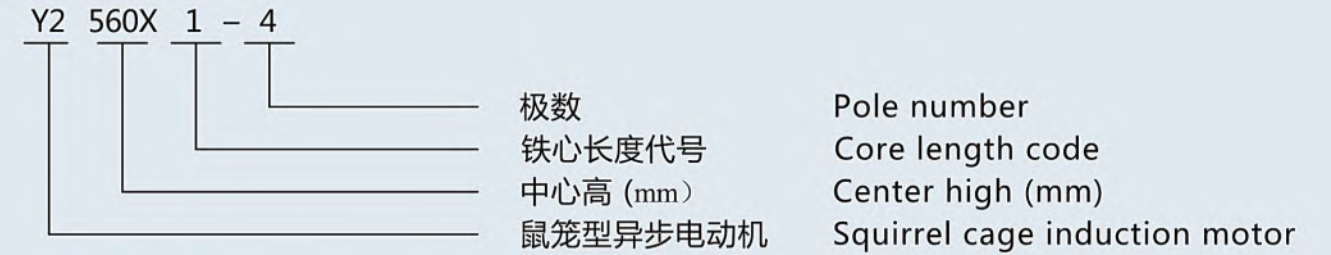
This series motors use a standard cooling method IC411,general installation is IMB 3, IMB 35.

This series motor is 3-phase power supply frequency 50Hz (or according to the need for 60Hz) power, voltage rating 380V or 660V , it also can be designed according to customer needs rating other voltage levels.

This series motors can be used to drive various general machinery like compressors, water pumps, crushing machines, cutting machines, transport machinery and other machinery and equipment, and it will be used as the original motivation in mining, machinery, metallurgy, petroleum, chemical, power station and industrial and mining enterprises.

This series motors can be derived from outdoor (W), humid tropics(TH), outdoor humid tropics(WTH),anti-corrosion type(F1, F2, F3, F4), it also can be derived from marine Y-H Series three phase asynchronous motor according to national standard GB/T7060, basic technical requirements of marine rotating electrical machines, the performance indicators, basic installation and dimension are almost the same to the basic series.

二、 产品型号含义



三、 结构特点

机座采用平行垂直的散热筋结构，通风结构采用两套独立的冷却风路，电机外部的空气在外风扇的作用下吹过散热筋，同时机座内有四条通风道，通过内风扇、转子冲片上的轴向通风孔形成内风路，有效的提高了散热效果。2极电机外风扇采用单向轴流式风扇,所以旋转方向不得任意选定，4~8极电机采用双向旋转径向离心式风扇，其旋转方向可以任意选定。

The base takes parallel-vertical radiating rid structure, the ventilated structure has two independent cooling air duct, air outside the motor blows heat reinforcement under the action of the outside fan, meanwhile, there are four base ventilation road, through the fan inside, axial vents on the rotor chip formed the inner wind way, improve the heat dissipation effectively. So the direction of rotation would no be chosen of rotation can be chosen or set at will .

转子采用鼠笼铜条结构或铸铝结构，经过高精度动平衡,电机运转平衡,振动小。

The rotor had the copper squirrel cage structure or cast aluminum structure, after high-precision dynamic balancing operation, the motor would run balance, and had low vibration.

主出线盒设计在机座的顶部，可以满足左右出线的需要,也可根据用户需要放在45°位置。

The main outlet box is designed in the top of the base, it would be certain for the line out to left or right, it also can be based on 45°location according to user needs.

四、 订货须知

- 请在订货时注明电动机型号、功率(KW)、电压、频率、旋转方向、防护等级、冷却方式、出线方向、特殊使用环境及配套机械设备的使用要求；
- 本系列电动机一般在定子绕组上、轴承上均可安装测温装置，也可在电动机的两侧加装防凝露去潮加热器，如果有需要请在订货时注明；
- 其它特殊要求，订货时请签订技术协议；
- 随着科技的进步和国内外相关标准的修改，本样本内尺寸及技术参数会有所变动，请谅解不另行通知，订货时请向本公司技术部门确认或索取正式外形图及相关信息。

When ordering, please specify the model, power, voltage, frequency, direction of rotation, degree of protection, cooling method, direction appears, special using environment, and the using requirements of the supporting machinery and equipment.

Temperature measurement devices can be installed in this series of motor in the stator windings, or in the bearing, and the anti-condensation to tide heater also can be installed on both sides of the motor the motor, if necessary, please specify when ordering.

When ordering please sign technology agreement if there is other special requirements.

The technical parameters in this sample would change, please understand that without prior notice, when ordering, please contact our technical department to confirm or to obtain an official form map and related information.

Y2X系列

紧凑型低压大功率三相异步电机

Low Voltage Big Power Three Phase Asynchronous Motor



• 性能参数 TECHNICAL SPECIFICATIONS(50Hz)

电机型号 Motor Type	功率 Rated Power KW	电流 Current		额定转速 Rated Speed r/min	功率因素 Power Factor cosφ	效率 Efficiency η%	堵转电流	堵转转矩	最大转矩	负责转动惯量	重量
		额定电流	额定转矩				额定转矩	Moment of inertia	weight		
		Locked Current	Locked Torque				Maximum Torque	J	kg		
		380V A	660V A				Rated current	Rated Torque	Rated Torque	kgm ²	
Y2355XA-2	355	628	361	2975	0.90	95.5	7.0	1.6	2.0	4.8	2050
Y2355XB-2	400	706	407	2975	0.90	95.6	7.0	1.6	2.0	5.3	2180
Y2355XC-2	450	793	457	2975	0.90	95.8	7.0	1.6	2.0	5.9	2340
Y2355XD-2	500	881	507	2975	0.90	95.8	7.0	1.6	2.0	6.4	2520
Y2400XA-2	560	990	570	2980	0.90	95.5	7.5	1.2	2.6	8.6	3200
Y2400XB-2	630	1112	640	2980	0.90	95.6	7.5	1.2	2.6	9.6	3490
Y2400XC-2	710	/	722	2980	0.90	95.6	7.5	1.2	2.6	11.0	3660
Y2450XA-2	800	/	814	2985	0.90	95.6	7.5	0.8	2.0	28.8	5000
Y2450XB-2	900	/	912	2985	0.90	96.0	7.5	0.8	2.0	32.5	5200
Y2355XA-4	355	636	366	1485	0.88	96.3	6.8	1.8	2.0	9.5	2150
Y2355XB-4	400	730	420	1485	0.87	95.7	7.0	1.8	2.0	10.6	2300
Y2355XC-4	450	820	472	1485	0.87	95.8	7.0	1.8	2.0	11.5	2460
Y2355XD-4	500	912	525	1485	0.87	95.8	7.8	1.8	2.0	12.8	2720
Y2400XA-4	560	996	573	1490	0.89	96.0	7.0	1.3	2.6	17.1	3360
Y2400XB-4	630	1120	645	1490	0.89	96.0	7.0	1.3	2.6	18.5	3430
Y2400XC-4	710	/	725	1490	0.89	96.2	7.0	1.3	2.6	21.1	3620
Y2450XA-4	800	/	842	1490	0.87	95.6	7.5	1.1	2.0	36.2	5200
Y2450XB-4	900	/	943	1490	0.87	96.0	7.5	1.1	2.0	40.3	5500
Y2450XC-4	1000	/	1053	1490	0.87	95.5	7.0	0.7	2.2	60.0	6750
Y2500XA-4	1120	/	1165	1490	0.88	95.6	7.5	0.7	2.2	68.0	7250
Y2500XB-4	1250	/	1298	1490	0.88	95.7	8.5	0.7	2.5	78.0	7500
Y2560XA-4	1400	/	1440	1490	0.89	95.6	6.5	0.9	2.0	82.5	8570
Y2560XB-4	1500	/	1545	1490	0.89	95.6	6.5	0.9	2.0	91.0	8700
Y2355XA-6	280	526	303	990	0.85	95.1	6.5	1.8	2.0	12.9	2150
Y2355XB-6	315	591	341	990	0.85	95.2	6.5	1.8	2.0	13.5	2310
Y2355XC-6	355	666	383	990	0.85	95.3	6.5	1.8	2.0	14.3	2490
Y2355XD-6	400	750	432	990	0.85	95.3	6.5	1.8	2.0	15.4	2630

注：电流数据中为“/”的型号电机只提供电压660V的电机。
Remark: in the data of the current item, "/" stands for the data which can only be supplied on the rated voltage 660V.

• 性能参数 TECHNICAL SPECIFICATIONS(50Hz)

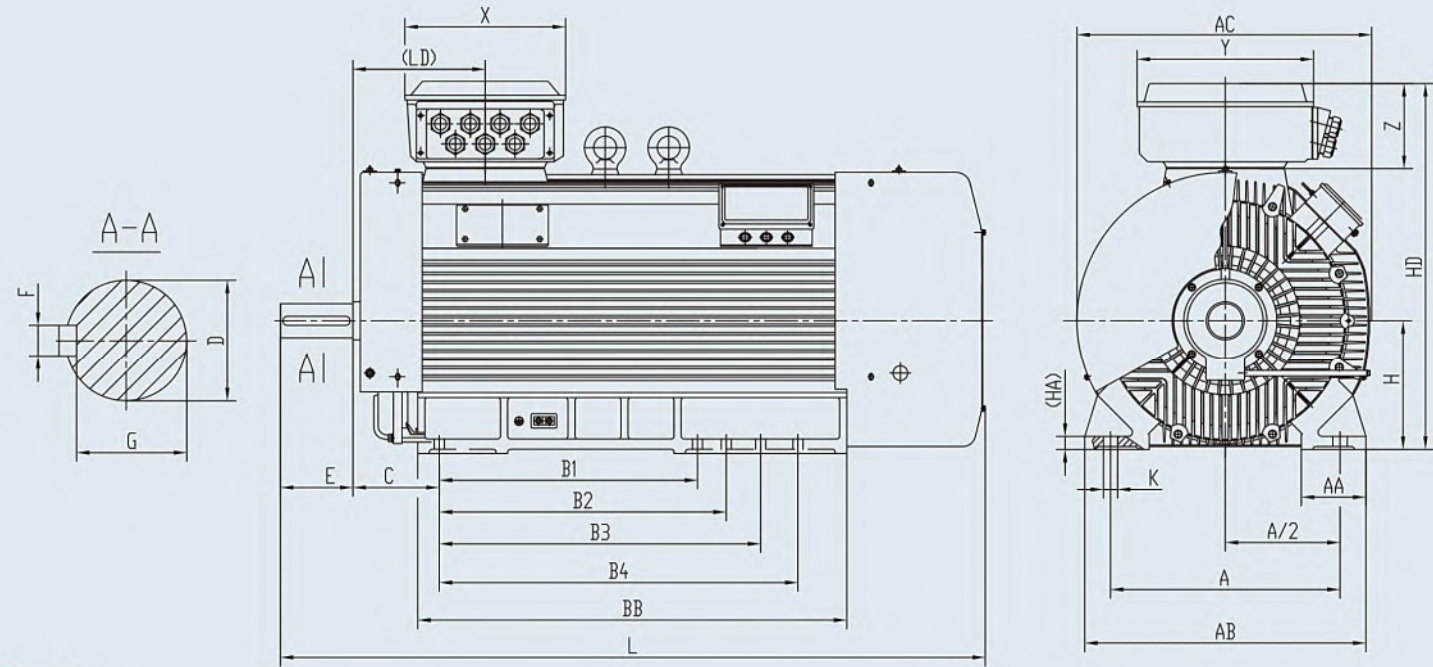
电机型号 Motor Type	功率 Rated Power KW	电流 Current		额定转速 Rated Speed r/min	功率因素 Power Factor cosφ	效率 Efficiency η%	堵转电流	堵转转矩	最大转矩	负责转动惯量	重量 weight kg
		额定电流	额定转矩				额定转矩	Moment of inertia			
		Locked Current	Locked Torque				Maximun Torque	J			
380V A	660V A	Rated current	Rated Torque	Rated Torque	J kgm ²						
Y2400XA-6	450	832	479	990	0.86	95.6	6.8	1.3	2.6	23.5	3660
Y2400XB-6	500	923	531	990	0.86	95.7	6.8	1.3	2.6	26.4	3750
Y2400XC-6	560	1034	595	990	0.86	95.7	6.8	1.3	2.6	28.8	3820
Y2450XA-6	630	1217	701	990	0.83	94.8	7.0	1.1	1.8	46.4	4800
Y2450XB-6	710	/	786	990	0.83	95.2	7.0	1.1	1.8	50.2	5200
Y2450XC-6	800	/	883	990	0.83	95.5	7.0	1.1	1.8	56.7	5600
Y2500XA-6	900	/	980	990	0.84	95.6	7.0	0.8	2.2	89.0	6750
Y2500XB-6	1000	/	1089	990	0.84	95.6	7.5	0.8	2.2	98.0	7150
Y2500XC-6	1120	/	1219	990	0.84	95.7	7.5	0.8	2.2	105	7250
Y2560XA-6	1250	/	1345	995	0.85	95.7	6.5	0.8	1.8	105.0	8200
Y2560XB-6	1400	/	1500	995	0.85	96.0	7.0	0.8	1.8	130.0	8500
Y2355XA-8	225	469	270	740	0.77	94.6	6.5	1.6	2.0	13.5	2230
Y2355XB-8	250	520	300	740	0.77	94.8	6.5	1.6	2.0	14.3	2410
Y2355XC-8	280	582	335	740	0.77	95.0	6.5	1.8	2.0	15.0	2600
Y2355XD-8	315	654	377	740	0.77	95.0	6.5	1.8	2.0	15.9	2750
Y2400XA-8	355	684	394	740	0.83	95.0	6.0	1.2	2.4	24.2	3350
Y2400XB-8	400	771	444	740	0.83	95.0	6.0	1.2	2.4	26.0	3430
Y2400XC-8	450	865	498	740	0.83	95.2	6.0	1.2	2.4	29.0	3760
Y2450XA-8	500	1064	613	745	0.76	94.0	7.0	1.1	1.8	48.5	4900
Y2450XB-8	560	1185	682	745	0.76	94.5	7.0	1.1	1.8	52.1	5300
Y2500XA-8	630	/	712	740	0.81	95.5	7.0	0.8	2.2	88.0	6750
Y2500XB-8	710	/	803	740	0.81	95.5	7.0	0.8	2.2	92.0	7000
Y2500XC-8	800	/	904	740	0.81	95.6	7.0	0.8	2.2	105.0	7250
Y2560XA-8	900	/	1020	745	0.81	95.5	5.5	0.8	1.8	135.0	8000
Y2560XB-8	1000	/	1130	745	0.81	95.7	5.5	0.8	1.8	160.0	8500
Y2355XA-10	180	386	222	590	0.75	94.5	5.5	1.2	1.8	15.6	2150
Y2355XB-10	200	428	246	590	0.75	94.7	5.5	1.2	1.8	17.8	2230

注：电流数据中为"/"的型号电机只提供电压660V的电机。
Remark: in the data of the current item, "/"stands for the data which can only be supplied on the rated voltage 660V.

• 性能参数 TECHNICAL SPECIFICATIONS(50Hz)

电机型号 Motor Type	功率 Rated Power KW	电流 Current		额定转速 Rated Speed r/min	功率因素 Power Factor cosφ	效率 Efficiency η%	堵转电流	堵转转矩	最大转矩	负责转动惯量	重量 weight kg
		额定电流	额定转矩				额定转矩	Moment of inertia			
		Locked Current	Locked Torque				Maximun Torque	J			
380V A	660V A	Rated current	Rated Torque	Rated Torque	J kgm ²						
Y2355XC-10	225	481	277	590	0.75	94.7	5.5	1.2	1.8	19.4	2410
Y2355XD-10	250	533	307	590	0.75	95.0	5.5	1.2	1.8	21.3	2600
Y2400XA-10	280	560	322	590	0.8	95.0	5.5	1.0	2.3	25.6	3220
Y2400XB-10	315	630	363	590	0.8	95.0	5.5	1.0	2.3	26.9	3450
Y2450XA-10	355	767	442	595	0.75	93.8	6.5	0.9	1.8	42.5	5100
Y2450XB-10	400	860	495	595	0.75	94.2	6.5	0.9	1.8	46.2	5400
Y2450XC-10	450	965	556	595	0.75	94.5	6.5	0.9	1.8	50.2	5700
Y2500XA-10	500	/	573	590	0.80	95.4	7.0	1.0	2.2	98.0	6650
Y2500XB-10	560	/	642	590	0.80	95.4	7.0	1.0	2.2	110.0	6850
Y2500XC-10	630	/	721	590	0.80	95.5	7.0	1.0	2.2	125.0	7000
Y2560XA-10	710	/	799	595	0.81	96.0	5.0	0.9	1.8	83.5	6880
Y2560XB-10	800	1560	900	595	0.81	96.2	5.0	0.9	1.8	85.3	7080
Y2560XC-10	900	1749	1012	595	0.81	96.5	5.0	0.9	1.8	90.4	7350
Y2355XA-12	132	304	175	490	0.71	93.0	5.0	1.0	1.8	13.5	2145
Y2355XB-12	160	368	212	490	0.71	93.0	5.0	1.0	1.8	15.8	2210
Y2355XC-12	180	414	239	490	0.71	93.0	5.0	1.0	1.8	18.5	2410
Y2400XA-12	200	437	252	490	0.74	94.0	5.5	1.0	2.0	24.8	3220
Y2400XB-12	225	490	282	490	0.74	94.2	5.5	1.0	2.0	25.6	3450
Y2450XA-12	250	556	320	495	0.73	93.6	6.0	0.8	1.8	48.3	5400
Y2450XB-12	280	620	357	495	0.73	94.0	6.0	0.8	1.8	53.2	5800
Y2450XC-12	315	696	400	495	0.73	94.3	6.0	0.8	1.8	59.4	6200
Y2500XA-12	355	746	430	490	0.76	95.1	6.0	0.8	1.8	100.0	6500
Y2500XB-12	400	840	484	490	0.76	95.2	6.0	0.8	1.8	112.0	6750
Y2500XC-12	450	944	544	490	0.76	95.3	6.0	0.8	1.8	126.0	6950
Y2560XA-12	500	1039	598	495	0.77	95.0	6.5	0.8	1.8	135.0	6900
Y2560XB-12	560	1163	670	495	0.77	95.0	6.5	0.8	1.8	152.0	7100
Y2560XC-12	630	1305	751	495	0.77	95.3	6.5	0.8	1.8	172.0	7500

注：电流数据中为"/"的型号电机只提供电压660V的电机。
Remark: in the data of the current item, "/"stands for the data which can only be supplied on the rated voltage 660V.



■ B3

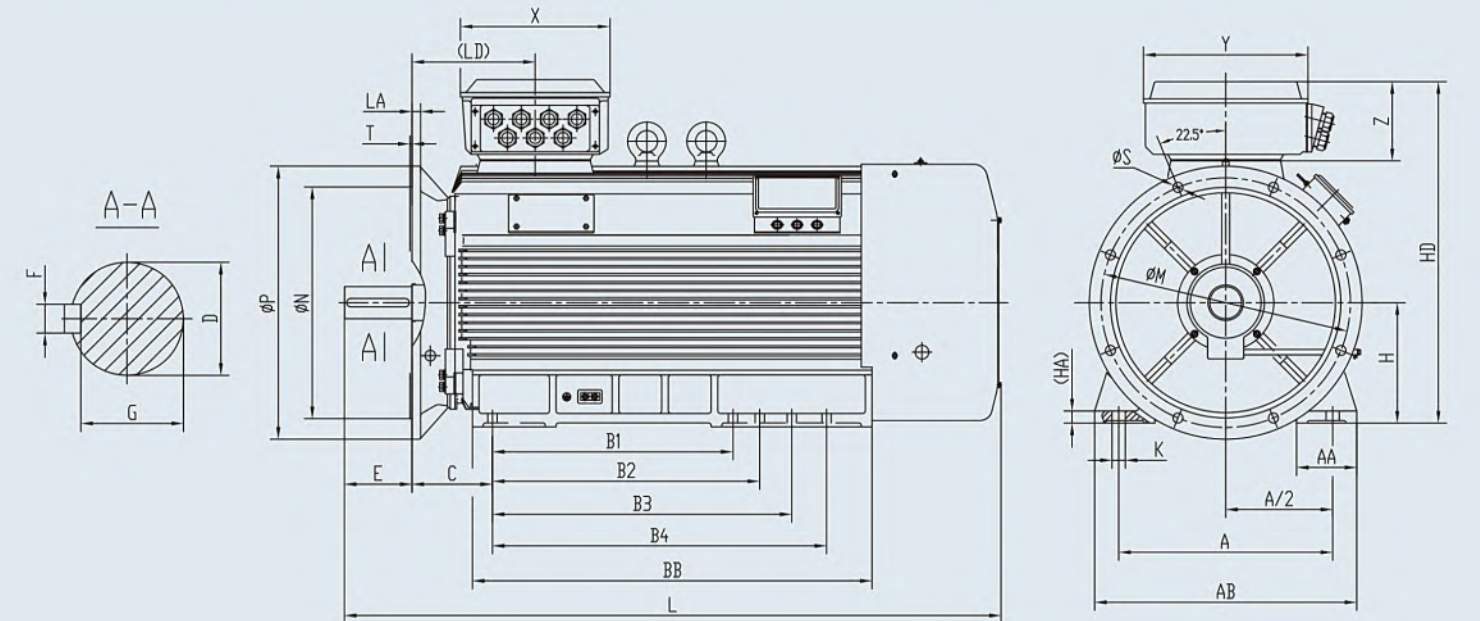
机座号 Frame Size	极数 Poles	安装尺寸 Mounting Dimensions (mm)											
		A	B1	B2	B3	B4	C	D	E	F	G	H	K
355X	2	630	630	710	800	/	254	75	140	20	67.5	355	35
355X	4~12	630	630	710	800	/	254	95	170	25	86	355	35
400X	2	680	710	800	900	/	280	80	170	22	71	400	47
400X	4~12	710	710	800	900	/	280	110	210	28	100	400	47
450X	2	800	900	1000	1120	1250	280	95	170	25	86	450	35
450X	4~12	800	900	1000	1120	1250	280	120	210	32	109	450	35
500X	4~12	900	1250	/	/	/	315	140	250	36	128	500	60
560X	4~12	1000	1400	/	/	/	355	160	300	40	147	560	52

机座号 Frame Size	极数 Poles	外形尺寸 Outline Dimensions (mm)											
		AB	AC	HD	BB	LD	HA	AA	X	Y	Z	L	
355X	2	760	790	1020	1140	368	52	135	430	545	250	1870	
355X	4~12	760	790	1020	1140	368	52	135	430	545	250	1900	
400X	2	870	864	1100	1120	342	45	160	430	545	246	1980	
400X	4~12	870	864	1100	1120	362	45	160	430	545	246	2025	
450X	2	980	1035	1290	1495	400	45	225	560	615	310	2360	
450X	4~12	980	1035	1290	1495	400	45	225	560	615	310	2400	
500X	4~12	1080	1095	1365	1600	412	65	180	560	615	310	2550	
560X	4~12	1170	1195	1480	1680	410	76	210	560	615	310	2610	

■ B35

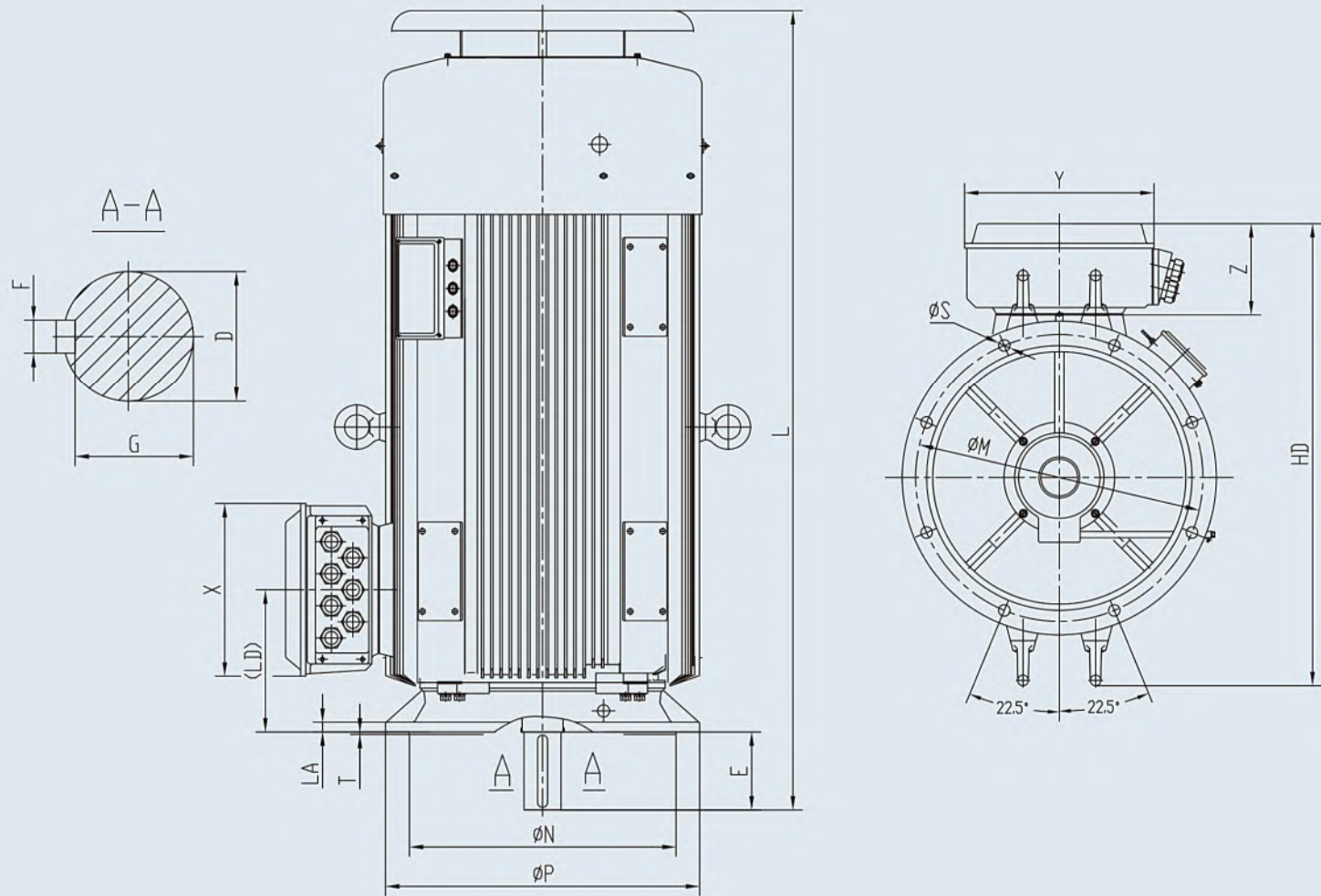
机座号 Frame Size	极数 Poles	安装尺寸 Mounting Dimensions (mm)																
		A	B1	B2	B3	B4	C	D	E	F	G	H	K	M	N	P	S	T
355X	2	630	630	710	800	/	254	75	140	20	67.5	355	35	740	680	800	8-24	6
355X	4~12	630	630	710	800	/	254	95	170	25	86	355	35	740	680	800	8-24	6
400X	2	686	710	800	900	/	280	80	170	22	71	400	35x47	940	880	1000	8-28	6
400X	4~12	710	710	800	900	/	280	110	210	28	100	400	35x47	940	880	1000	8-28	6
450X	2	800	900	1000	1120	1250	280	95	170	25	86	450	35	1120	1180	1250	8-28	6
450X	4~12	800	900	1000	1120	1250	280	120	210	32	109	450	35	1120	1180	1250	8-28	6
500X	4~12	900	1250	/	/	/	315	140	250	36	128	500	42x60	1080	1000	1150	8-28	6
560X	4~12	1000	1400	/	/	/	355	160	300	40	147	560	42x52	1180	1120	1250	8-28	7

机座号 Frame Size	极数 Poles	外形尺寸 Outline Dimensions (mm)											
		AB	AC	HD	BB	LD	HA	AA	X	Y	Z	L	
355X	2	760	790	1020	1140	368	52	135	430	545	250	1870	
355X	4~12	760	790	1020	1140	368	52	135	430	545	250	1900	
400X	2	870	864	1100	1120	342	45	160	430	545	246	1980	
400X	4~12	870	864	1100	1120	362	45	160	430	545	246	2025	
450X	2	980	1035	1290	1495	400	45	225	560	615	300	2360	
450X	4~12	980	1035	1290	1495	400	45	225	560	615	300	2400	
500X	4~12	1080	1095	1365	1600	412	65	180	560	615	300	2550	
560X	4~12	1170	1195	1480	1680	410	76	210	560	615	300	2610	



■ V1

机座号 Frame Size	极数 Poles	安装尺寸 Mounting Dimensions (mm)									外形尺寸 Overall Dimensions(mm)					
		D	E	F	G	M	N	P	S	T	AC	HD	X	Y	Z	L
355X	4~12	95	170	25	86	740	680	800	8-24	6	790	1190	430	545	250	2290
400X	4~12	110	210	28	100	940	880	1000	8-28	6	864	1270	430	545	250	2125
450X	4~12	120	210	32	109	1120	1180	1250	8-28	6	1035	1520	560	615	310	2600
500X	4~12	140	250	36	128	1080	1000	1150	8-28	6	1095	1576	560	615	310	2700
560X	4~12	160	300	40	147	1180	1120	1250	8-28	7	1195	1681	560	615	310	2960



■ 接线盒 T-BOX

机座号 Frame Size	X	Y	Z	管螺纹孔数与直径M Dia.Of the thread(mm)
355X	430	545	250	7-M63x1.5
400X	430	545	250	7-M63x1.5
450X	560	615	310	7-M63x1.5
500X	560	615	310	7-M63x1.5
500X	560	615	310	7-M63x1.5

■ 轴承 Bearings

机座号 Frame Size	B3,B35					
	轴伸端 Driving End			非轴伸端 Non-driving End		
	2极 (Pole)	4极 (Pole)	≥6极 (Pole)	2极 (Pole)	4极 (Pole)	≥6极 (Pole)
355	6317C3	6322C3(NU322)	6322C3(NU322)	6317C3	6322C3	6322C3
400	6317C3	6326C3(NU326)	6326C3(NU326)	6317C3	6326C3	6326C3
450	6319C3	6328C3(NU328)	6328C3(NU328)	6319C3	6328C3	6328C3
500	/	6330C3(NU330)	6330C3(NU330)	/	6330C3	6330C3
560	/	6334C3(NU334)	6334C3(NU334)	/	6330C3	6330C3

机座号 Frame Size	V1					
	轴伸端 Driving End			非轴伸端 Non-driving End		
	2极 (Pole)	4极 (Pole)	≥6极 (Pole)	2极 (Pole)	4极 (Pole)	≥6极 (Pole)
355	6317C3	6322C3(NU322)	6322C3(NU322)	7317B	7322B	7322B
400	6317C3	6326C3(NU326)	6326C3(NU326)	7317B	7326B	7326B
450	6319C3	6328C3(NU328)	6328C3(NU328)	7319B	7328B	7328B
500	/	6330C3(NU330)	6330C3(NU330)	/	7330B	7330B
560	/	6334C3(NU334)	6334C3(NU334)	/	7330B	7330B

■ 噪音 Noise(50Hz)

功率 Power(kW)	同步转速 Synchronous speed r/min					
	3000	1500	1000	750	600	500
声压级 Sound pressure level in dB (A)						
H355	94	87	80	75	70	70
H400	95	88	82	78	73	73
H450	93	93	89	84	80	77
H500	/	94	90	90	88	88
H560	/	97	90	89	86	80